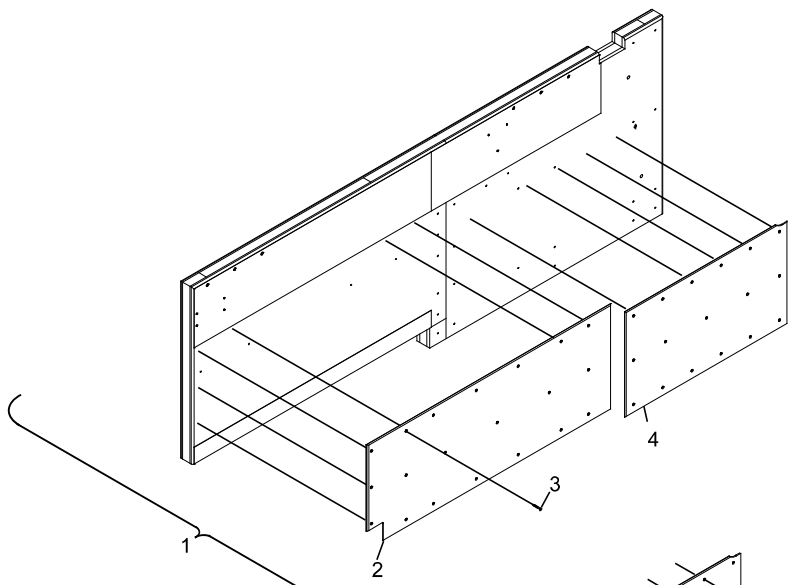
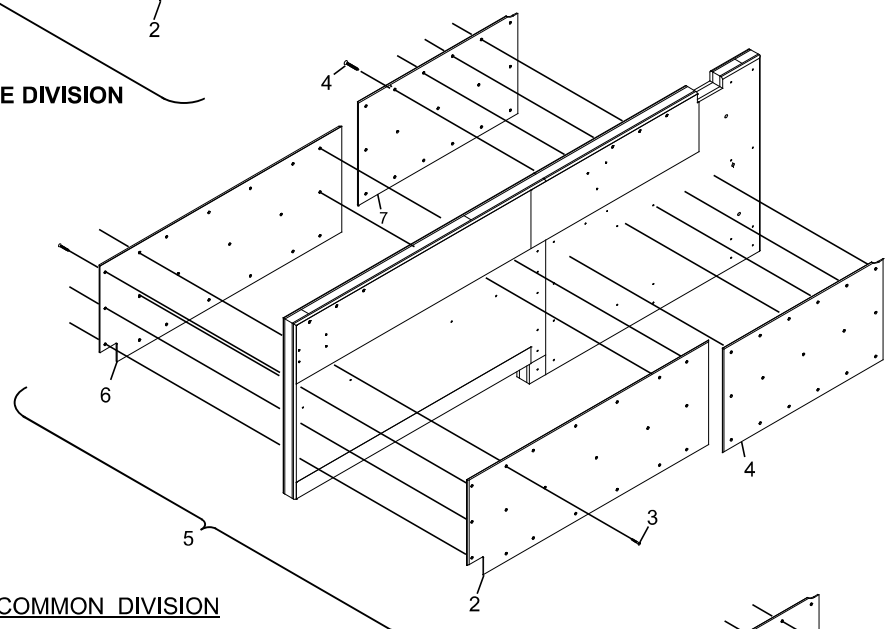


Index No.	Part No.	Package / Order Reference	Description
1.	55-278669-009		Division Kickback Complete - Outside Left Lane
2.	55-278253-000		Protector Plate (L.H. Long)
3.	11-051892-000		Torx - Counter Sink Wood Screw (M4.5 x 25 mm)
4.	55-278303-000		Protector Plate (Left Hand - Short)
5.	55-278668-009		Division Kickback - Complete Common (Inside)
6.	55-287254-000		Protector Plate (R.H Long)
7.	55-278303-000		Protecto Plate (L.H. Short)
8.	55-278670-009		Division Kickback Complete - Outside Right Lane

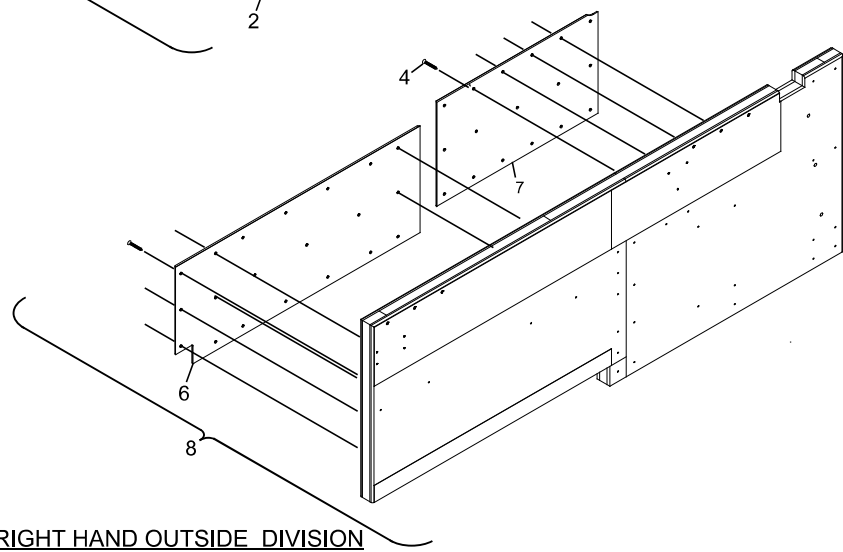
Division Kick Backs DPS



LEFT LANE OUTSIDE DIVISION



COMMON DIVISION



RIGHT HAND OUTSIDE DIVISION

Division Kick Backs DPS