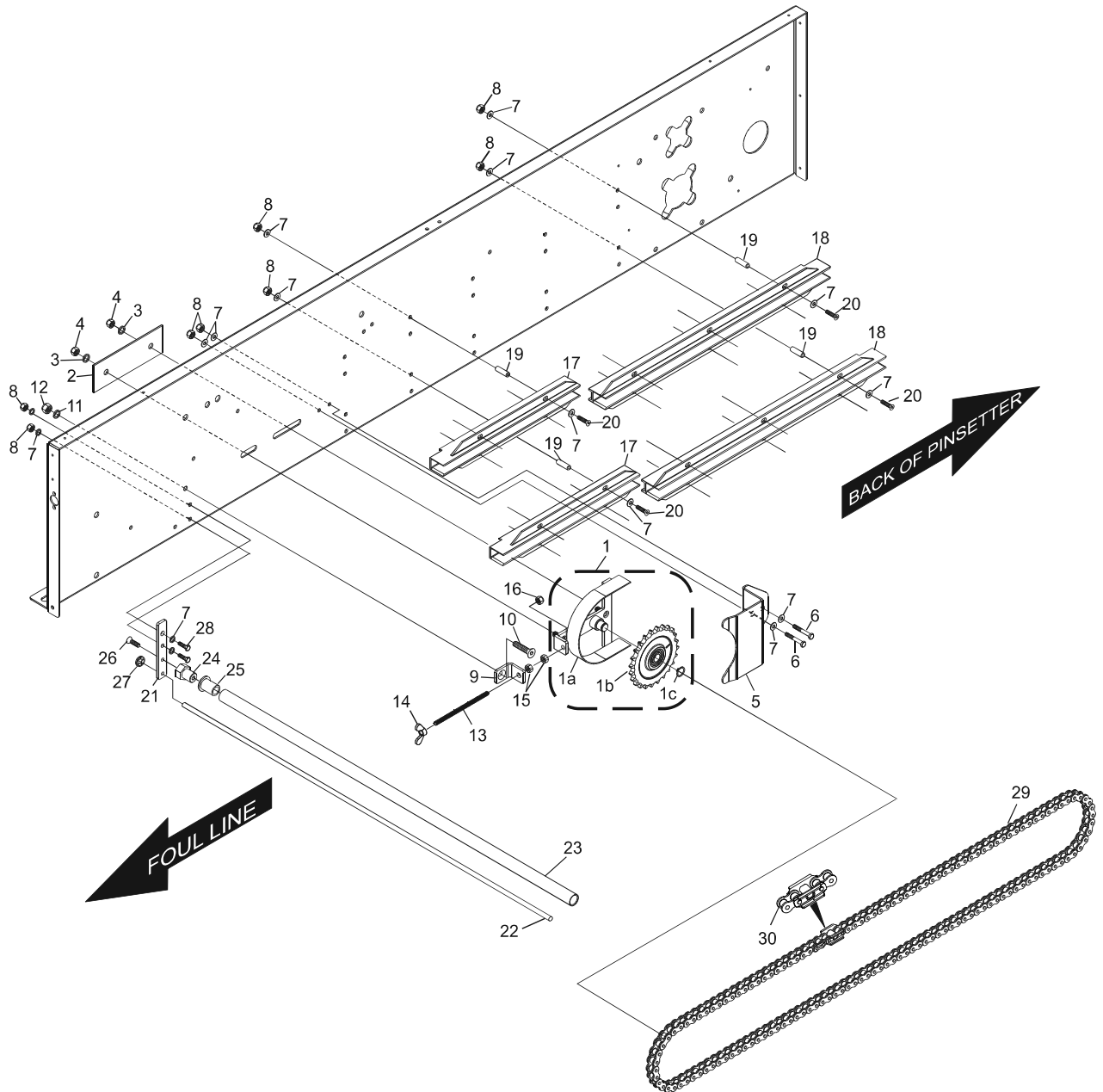


Index No.	Part No.	Package / Order Reference	Description
1.	55-068211-009		Drive Chain Guard Assembly
	1a. 55-068010-000		Drive Chain Guard
	1b. 55-060208-003		Sprocket
	1c. 11-051852-000		Retaining Ring - External (17 mm)
2.	55-060207-003		Tension Bracket
3.	11-051771-001		Lockwasher (M10)
4.	11-051745-001		Hex Lock Nut (M10)
5.	55-068011-000		Drive Chain Guard (Cover)
6.	11-051035-001		Hex Hd. Cap Screw (M6 x 16 mm)
7.	11-052008-001		Flat Washer (6.4 mm x 12 mm x 1.6mm)
8.	11-051743-001		Hex Lock Nut (M6)
9.	55-068133-004		Support Plate (Bracket) for Drive Chain Guard
10.	11-052927-001		Flat Sink Hd. Socket Screw (M8 x 20 mm)
11.	11-052003-001		Flat Washer (8.4 mm x 16 mm x 1.6 mm)
12.	11-051744-001		Hex Lock Nut (M8)
13.	55-068132-004		Threaded Rod (M8 x 155 mm)
14.	11-149045-001		Wing Nut (M8)
15.	11-051704-001		Hex Nut (M8)
16.	11-051744-001		Hex Lock Nut (M8)
17.	55-068149-000	*55-068149-009	Short Chain Guide
18.	55-068148-000	*55-068148-009	Long Chain Guide
19.	55-068027-000	N/A	Spacer
20.	11-051574-001	N/A	Socket Head Cap Screw (M6 x 45 mm)
21.	55-018015-000		Base Plate - Guide Bracket Support
22.	55-018136-002		Rod - For Guide Bracket
23.	55-018135-002		Guide Rod
24.	55-018016-000		Shoulder Stud
25.	47-034842-004		Plastic Bushing
26.	11-052936-001		Flat Sink Head Socket Screw (M6 x 16 mm)
27.	11-053478-001	47-861050-000	Speed Nut (Quicklock M8), Pkg Qty - 10
28.	11-051018-001		Hex Head. Cap Screw (M6 x 20 mm)
29.	55-060240-009		Chain Assembly
30.	55-060212-009		Special Link Assembly

* Guide Assemblies - Includes Index Numbers 7, 8, and 20.
Index Number 19, Spacers, are now incorporated into the guides
and are no longer a separate part.

Chain Drive Assembly



Chain Drive Assembly