

Index

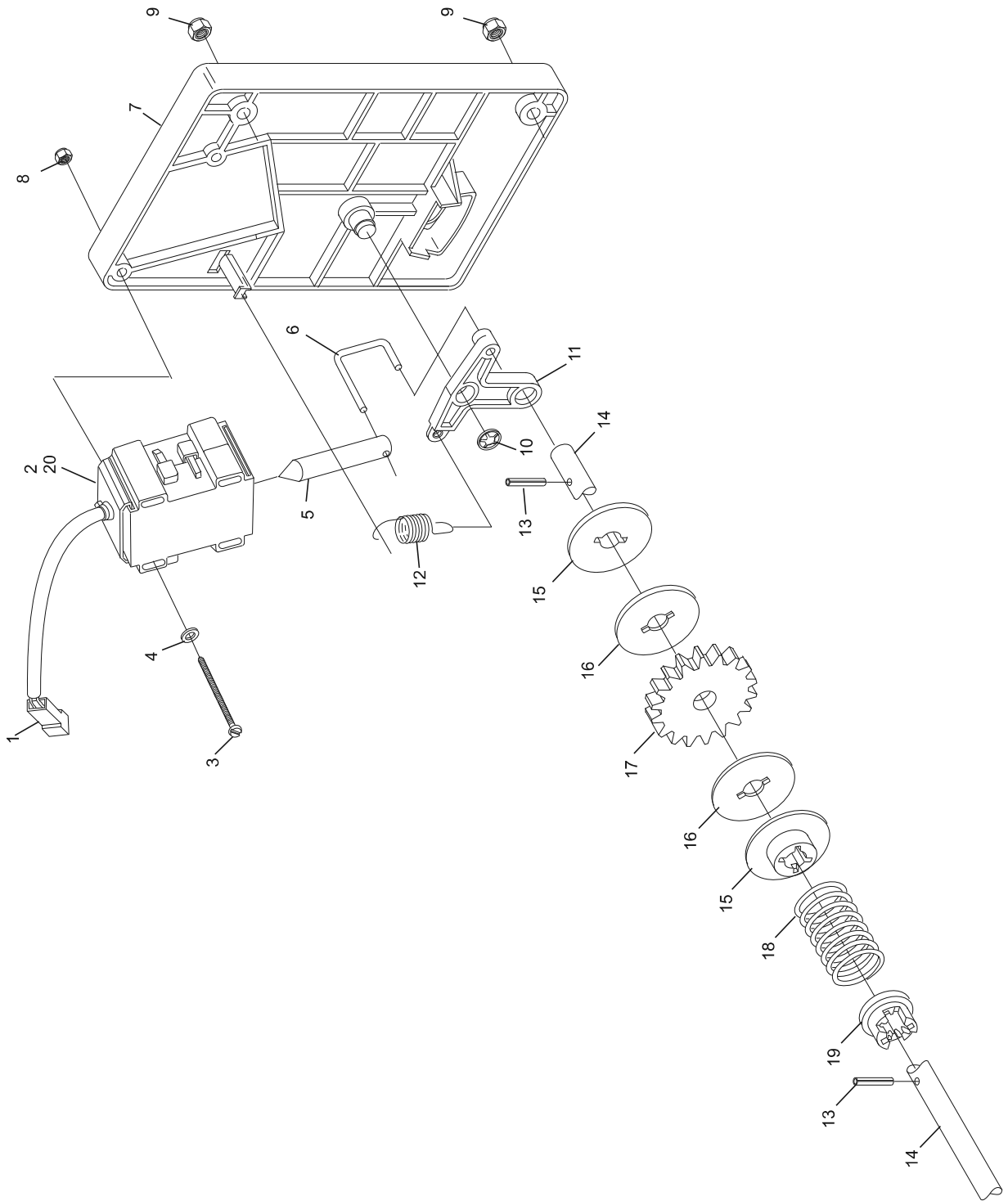
No.	Part No.		Description
1.	N.A.		Plug Only
2.	*99-060219-004		Solenoid Assembly w/Plug (red box)
3.	11-052202-001		Slotted Machine Screw (5 mm x 55 mm)
4.	11-052039-001		Flat Washer (5.3 mm)
5.	99-060133-004		Plunger
6.	47-071865-004		Connecting Link
7.	47-075128-002		Solenoid Holder
8.	11-051742-001		Locknut (5 mm)
9.	11-051745-001		Locknut (10 mm)
10.	11-053478-001	N.A.	Speed Nut (8 mm)
	47-861050-000	R.O.	Speed Nut (8 mm) Pkg. of 10
11.	47-075130-003		Pivot Lever Plate
12.	47-071866-004		Tension Spring
13.	11-052688-001	N.A.	Roll Pin (3 mm x 18 mm)
	47-861051-009	R.O.	Roll Pin (Pkg. of 20)
14.	47-071883-004		Clutch Shaft
15.	47-071863-004		Spring Retainer
16.	47-071864-004		Clutch Disc
17.	47-071862-004		Clutch Gear
18.	47-071868-004		Compression Spring
19.	47-071869-003		Spring Tightener
20.	*47-243030-004	N.A.	Solenoid Assembly w/Plug (silver and consolidated box)
	99-070356-004	R.O.	Solenoid

N.A. = No Longer Available

R.O. = Replacement Option

* Does not include Index No. 5, Plunger

**Gear Cluster Assembly
(GS-96/GS-98/GS-X)**



**Gear Cluster Assembly
(GS-96/GS-98/GS-X)**